

CityVu/EdgeVu C-Series Swing Door (C200I/C200O)

Technical Data Sheet

Frame/Sash

- Architectural Grade 6063-T63 Aluminum
- Azon Thermal Break (Mainframe/Panel)
- SolidCore Technology within Panel
- 45 Degree Mitered Mainframe
- Butt Joint Panels
- Corner Key Technology
- 4-9/16" and 6-9/16" Frame Depth Options
- 2-1/4" Panel Depth
- 3-3/8" Stile and Rail (Narrow)
- 3-3/8" Stile and 5-3/16" Rail (Wide)
- Single/French and Sidelite Door Options
- XO, OX, OXXO

Glazing

- Beveled/Square Exterior Glazing Stops
- Quanex Super Spacer
- 100% Silicone Wet Glaze
- Double Pane Insulated Glass Options
- Annealed, Tempered, Laminated and Obscure Glass Options Available

Weather Stripping

- Bulb Gaskets Around Perimeter

Hardware

- Adjustable Butt Hinges
- Multi-Point Lock System with Independent Dead Bolt

Mulling Options

- Field Applied Mulls

Grid Options

- Grids Between the Glass
- Simulated Divided Lites

Sill Options

- Standard/ADA/No Sill

Paint

- 2604/2605 FGIA High Performance Powder Coatings
- 30 Standard Colors
- Custom Colors available

CityVu/EdgeVu C-Series Swing Door (C200I/C200O)		
NAFS Rating	R-50/LC-50	
Design Pressure (P.S.F.)	45	
Air Infiltration at 25 MPH (cfm/ft ²)	0.06	
Water Resistance	4.59	
U-Value (Based on Cardinal 366 Low-E/Argon Fill)	0.30	
SHGC (Based on Cardinal 366 Low-E/Argon Fill)	0.19	
Frame Sizing	Width	Height
Minimum	30"	78"
Maximum	43"	120"

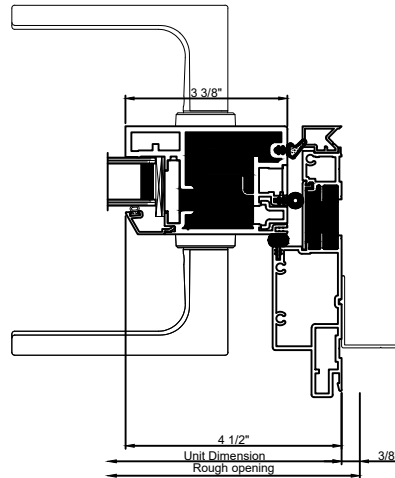
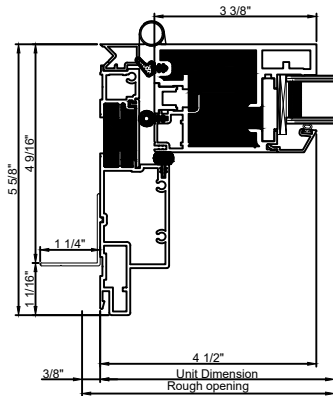


Quaker Window Products
 504 U.S. Hwy 63 South
 Freeburg, MO 65035
 (800) 347-0438
www.quakerresidentialwindows.com

Discover More Here:

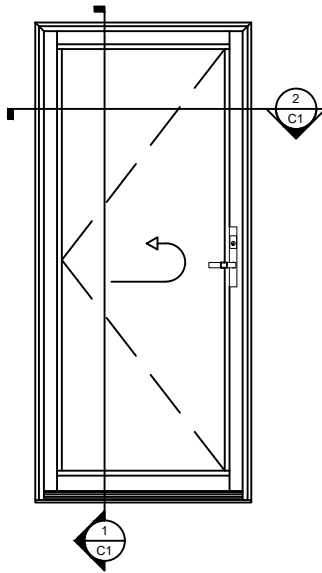


QTZ-CV/EV-C-SWNG-0324

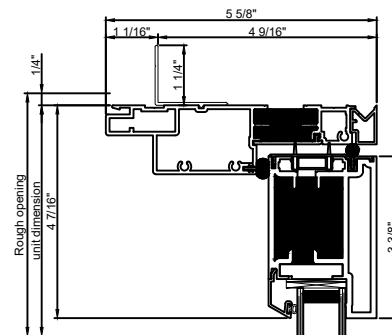


Door cut sections 1 : 4

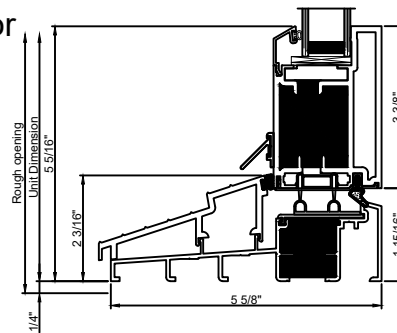
Exterior



Window Elevation 3/8" = 1' 0"

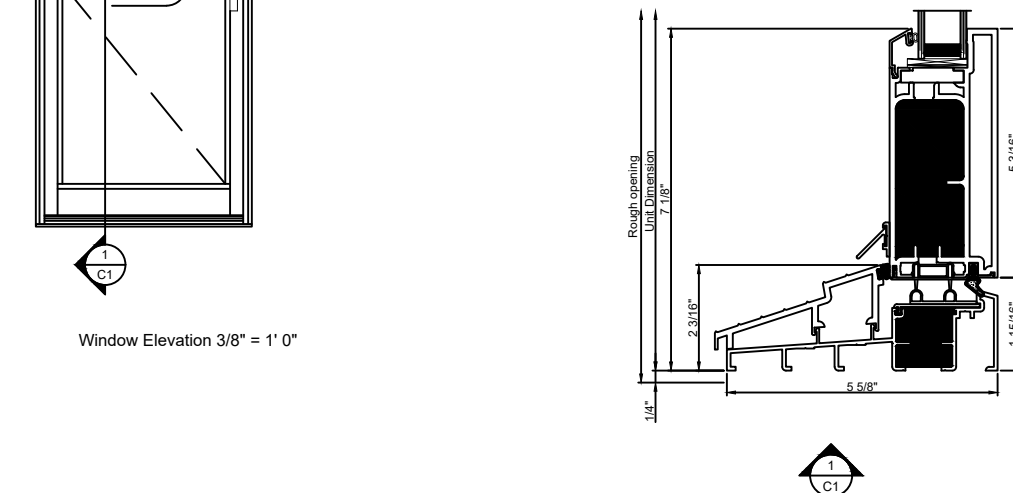
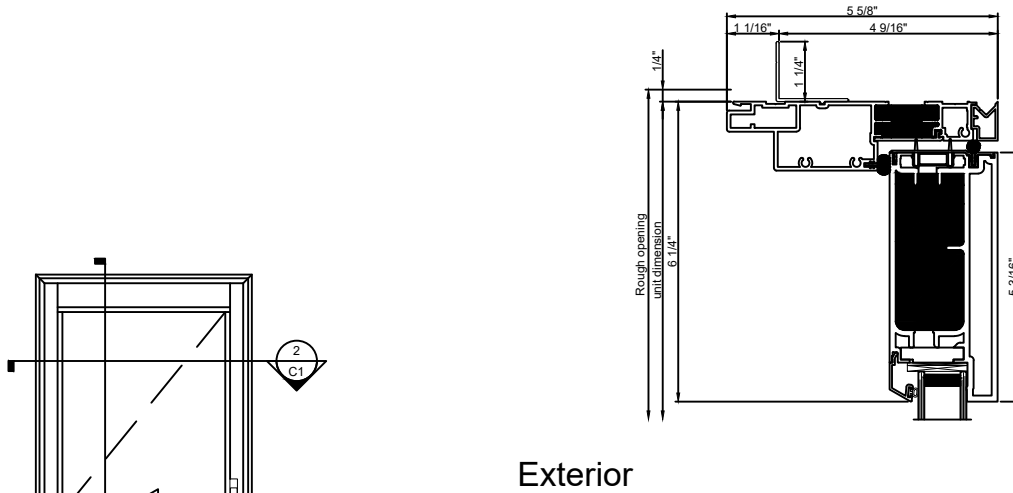
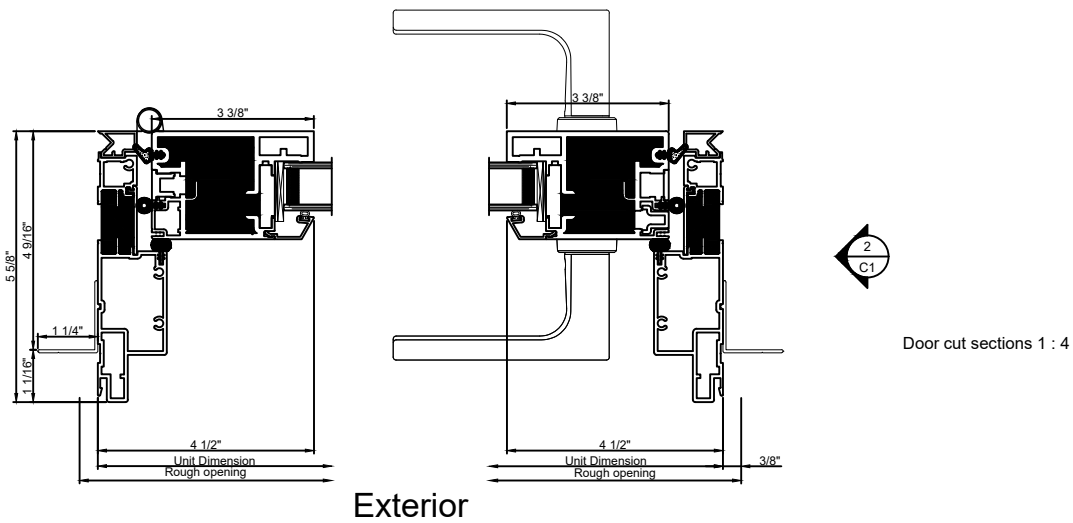


Exterior

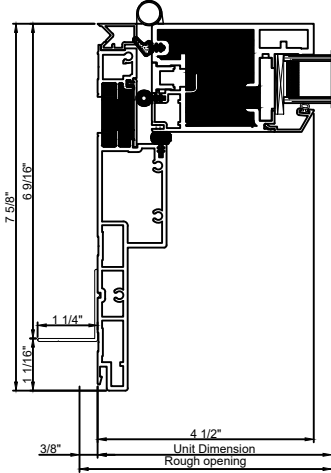


Door cut sections 1 : 4

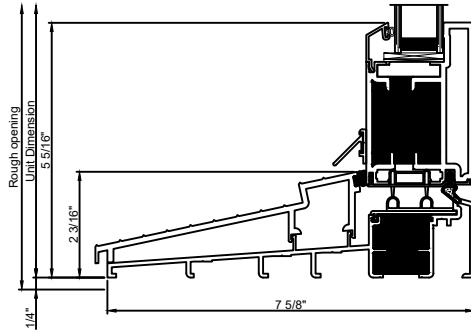
Note: All dimensions are approximate. Quaker reserves the right to change specifications without notice.



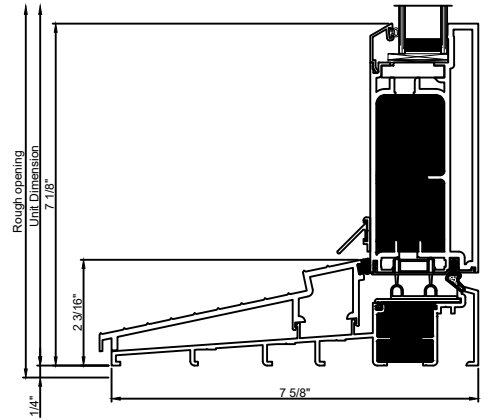
Note: All dimensions are approximate. Quaker reserves the right to change specifications without notice.



6 9/16" Jamb



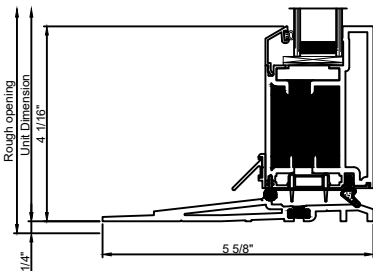
6 9/16" Std. Sill



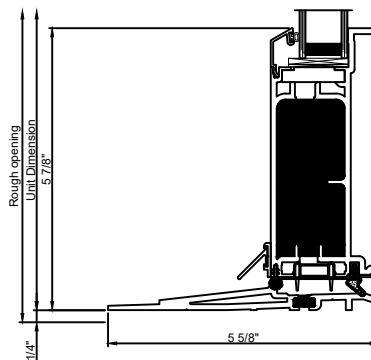
6 9/16" Std. Sill

Door cut sections 1 : 4

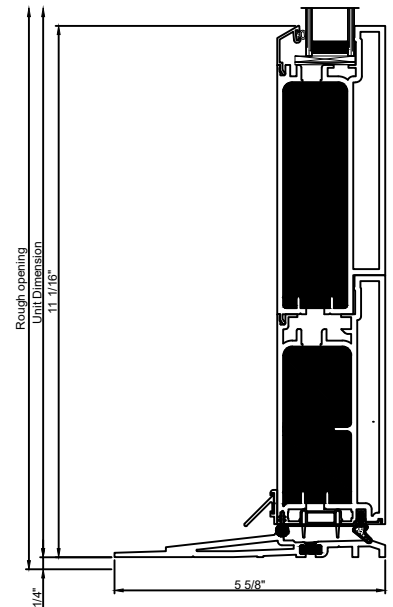
Exterior



Low Profile Sill



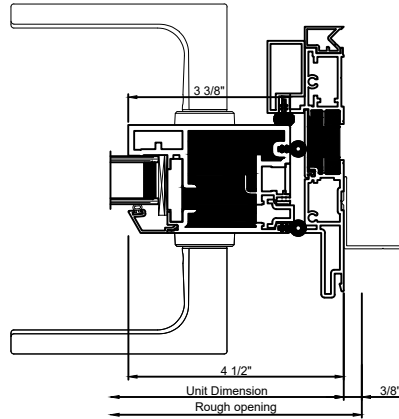
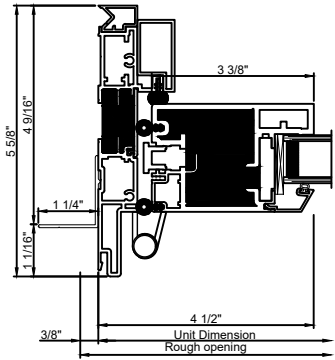
**Low Profile Sill
Wide**



**Low Profile Sill
10"**

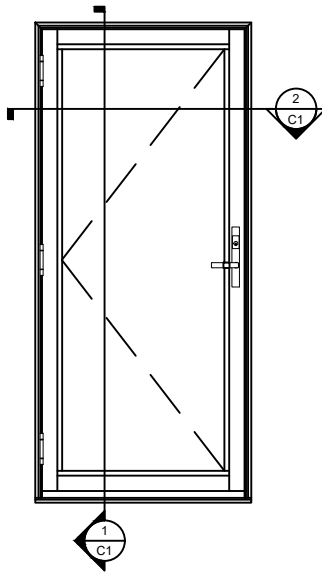
Door cut sections 1 : 4

Note: All dimensions are approximate. Quaker reserves the right to change specifications without notice.

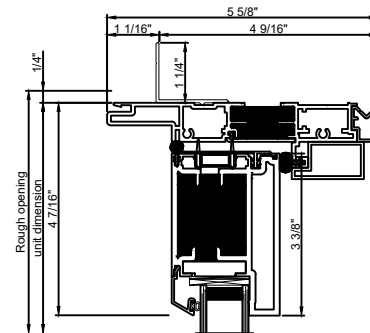


Door cut sections 1 : 4

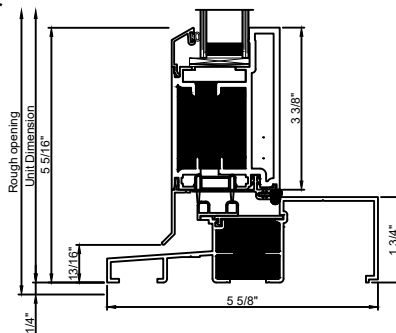
Exterior



Window Elevation 3/8" = 1' 0"

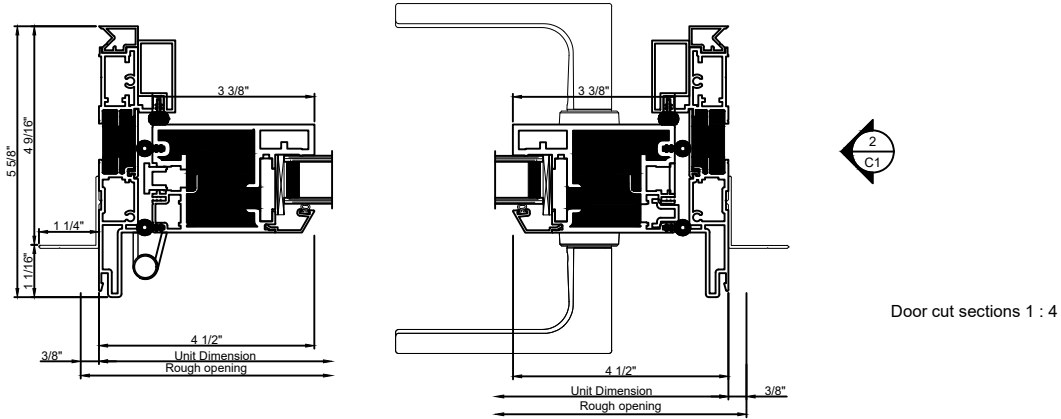


Exterior



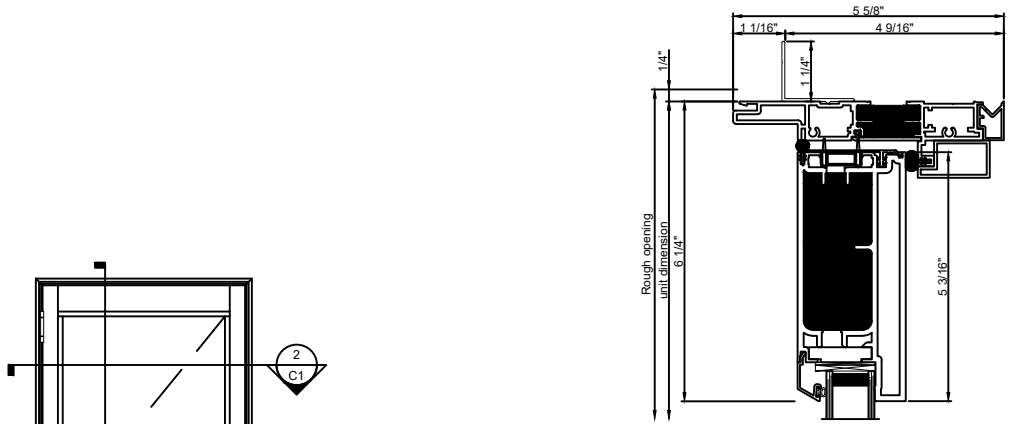
Door cut sections 1 : 4

Note: All dimensions are approximate. Quaker reserves the right to change specifications without notice.



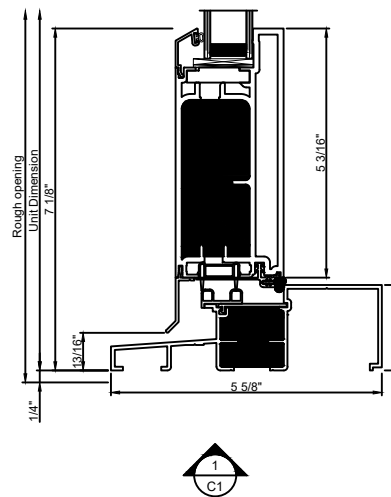
Door cut sections 1 : 4

Exterior



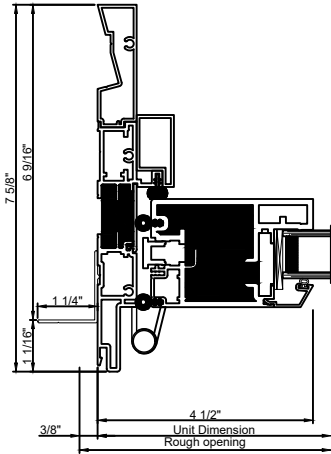
Exterior

Window Elevation 3/8" = 1' 0"

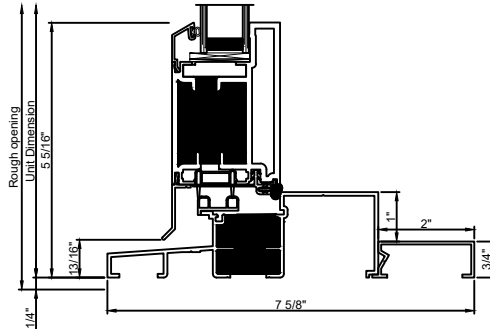


Door cut sections 1 : 4

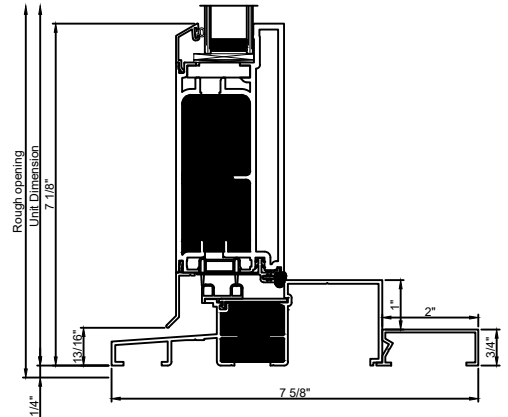
Note: All dimensions are approximate. Quaker reserves the right to change specifications without notice.



6 9/16" Jamb



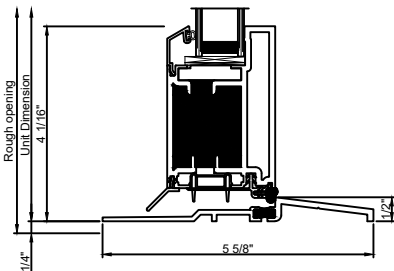
6 9/16" Std. Sill



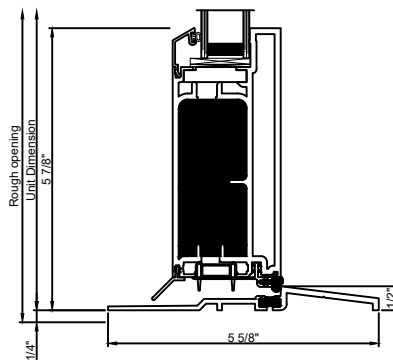
6 9/16" Wide Sill

Door cut sections 1 : 4

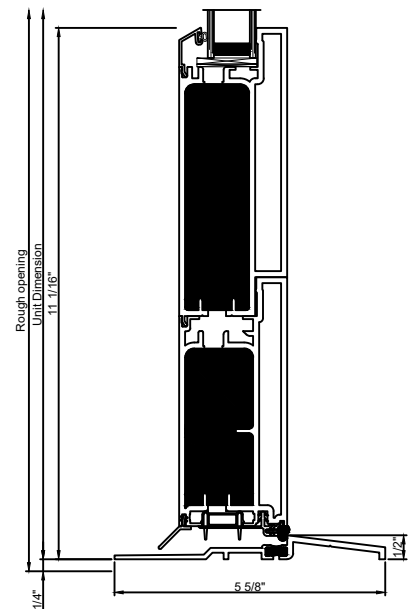
Exterior



Low Profile Sill



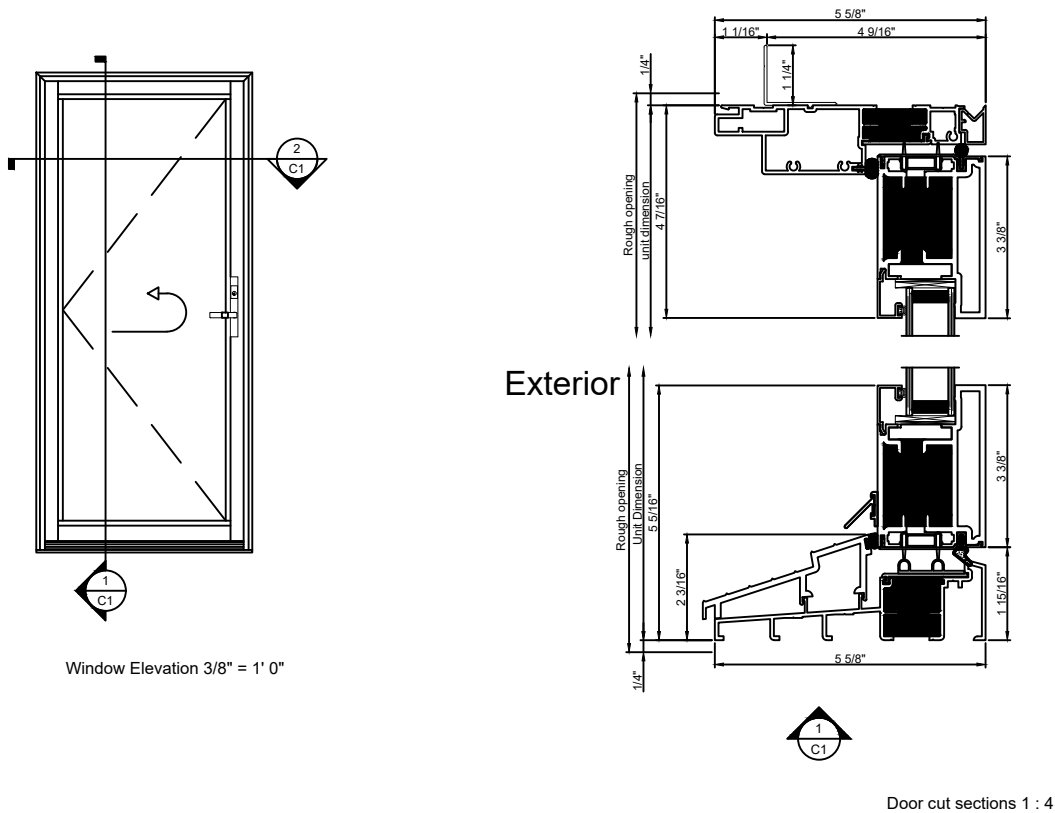
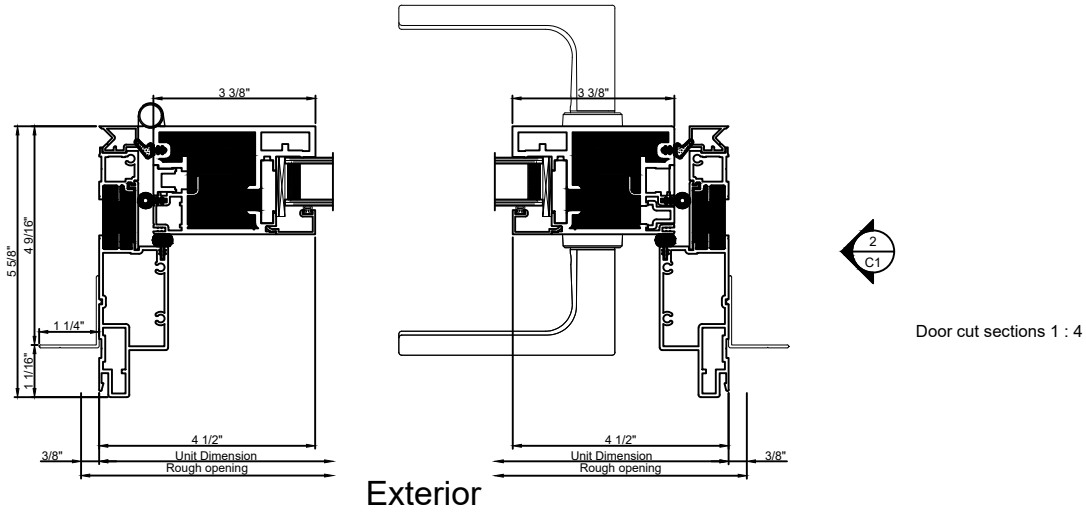
Low Profile Sill
Wide



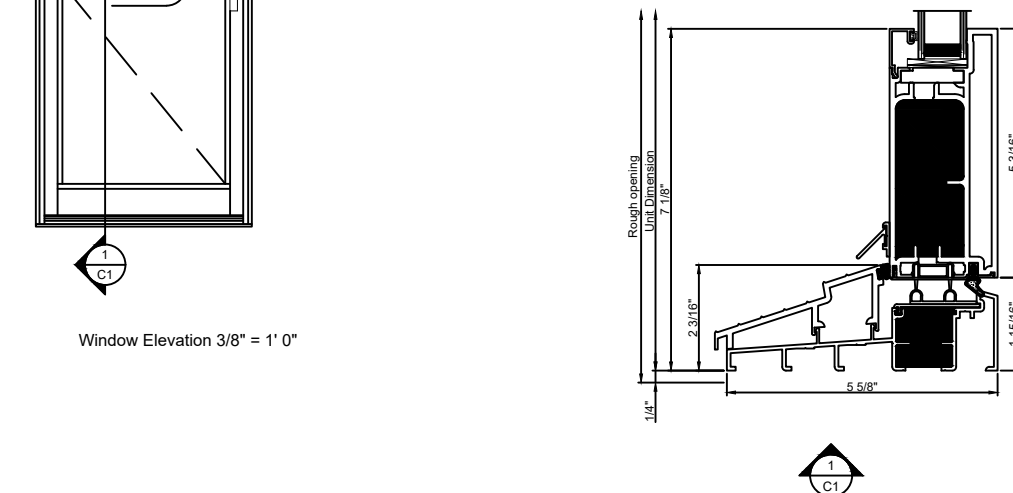
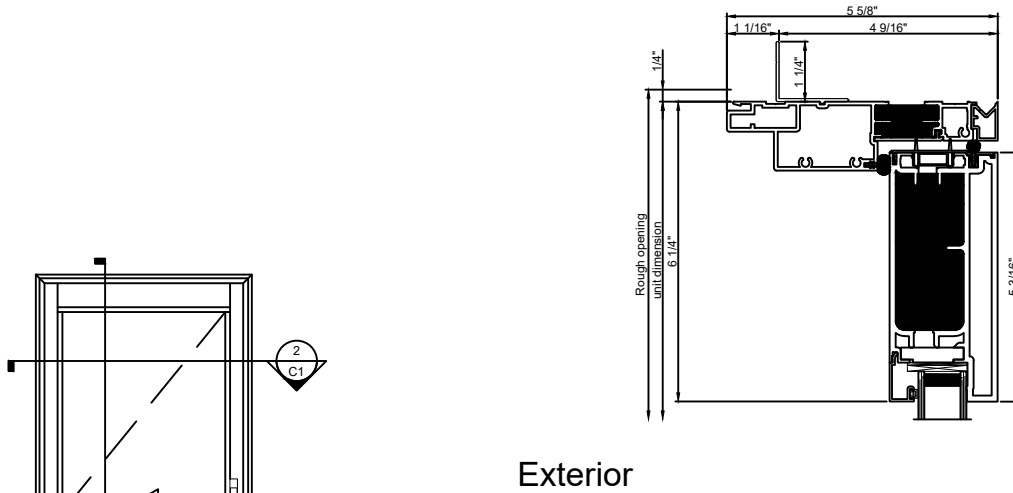
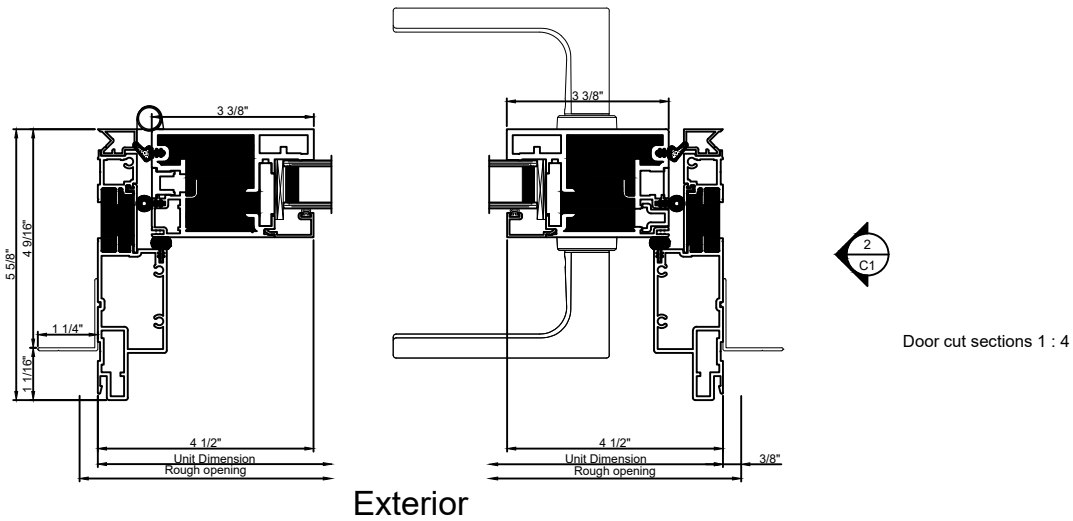
Low Profile Sill
10"

Door cut sections 1 : 4

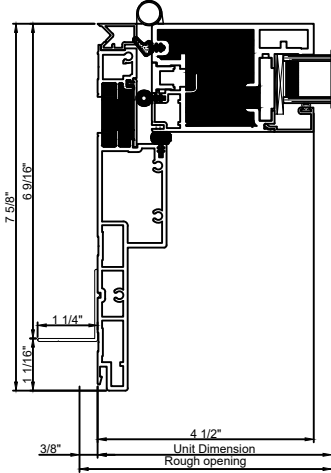
Note: All dimensions are approximate. Quaker reserves the right to change specifications without notice.



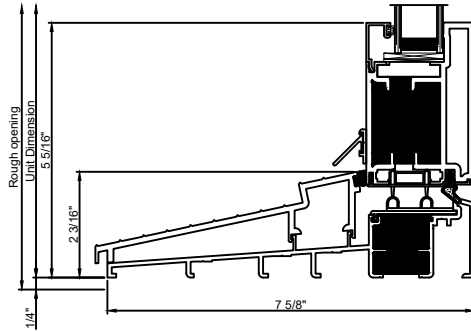
Note: All dimensions are approximate. Quaker reserves the right to change specifications without notice.



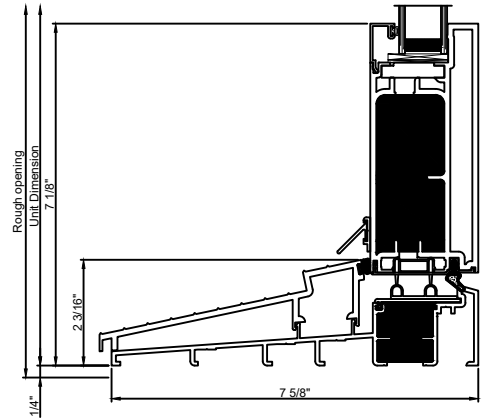
Note: All dimensions are approximate. Quaker reserves the right to change specifications without notice.



6 9/16" Jamb



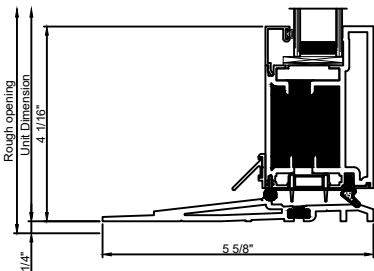
6 9/16" Std. Sill



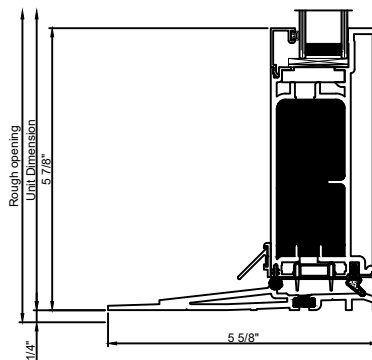
6 9/16" Std. Sill

Door cut sections 1 : 4

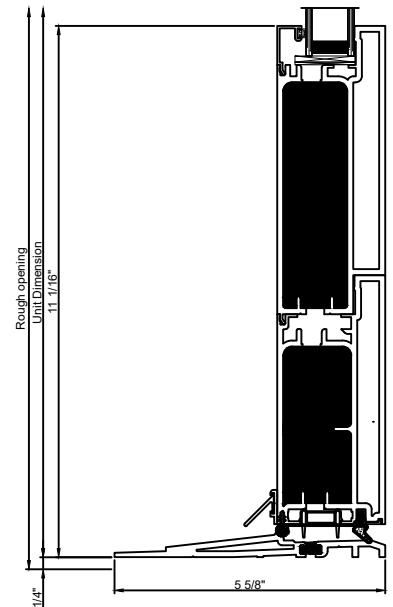
Exterior



Low Profile Sill



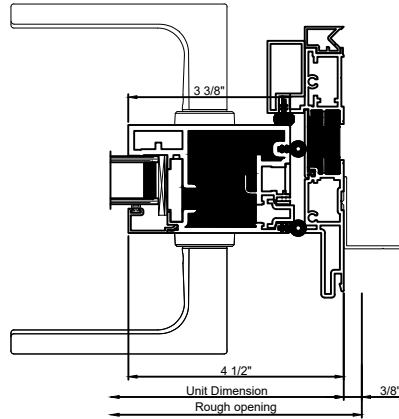
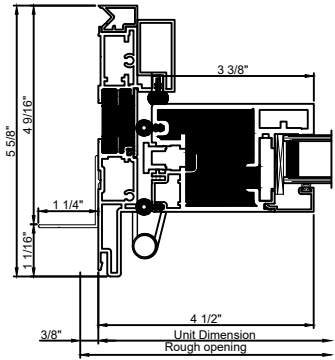
Low Profile Sill
Wide



Low Profile Sill
10"

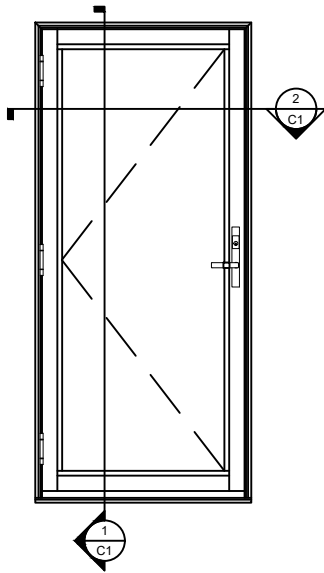
Door cut sections 1 : 4

Note: All dimensions are approximate. Quaker reserves the right to change specifications without notice.

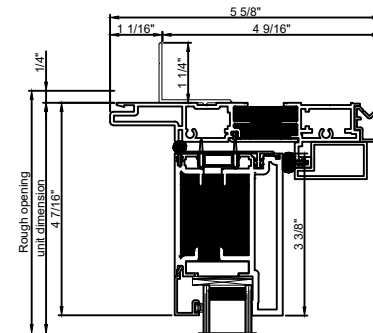


Door cut sections 1 : 4

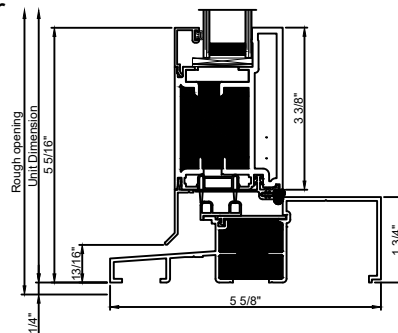
Exterior



Window Elevation 3/8" = 1' 0"

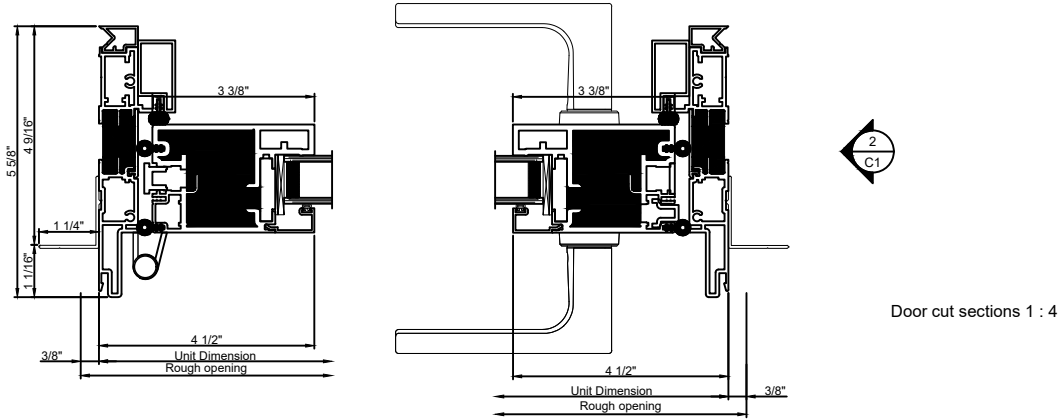


Exterior

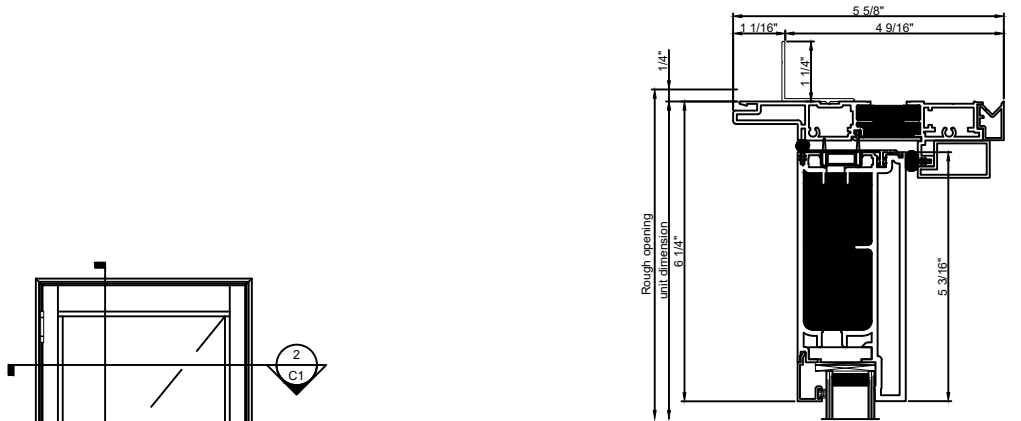


Door cut sections 1 : 4

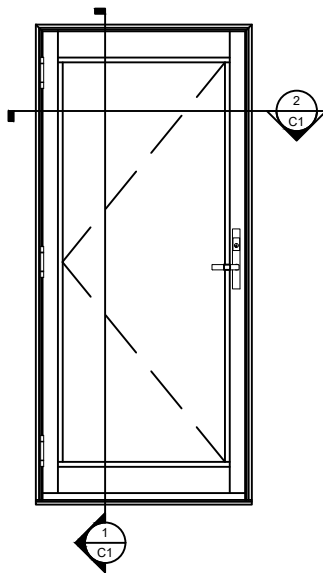
Note: All dimensions are approximate. Quaker reserves the right to change specifications without notice.



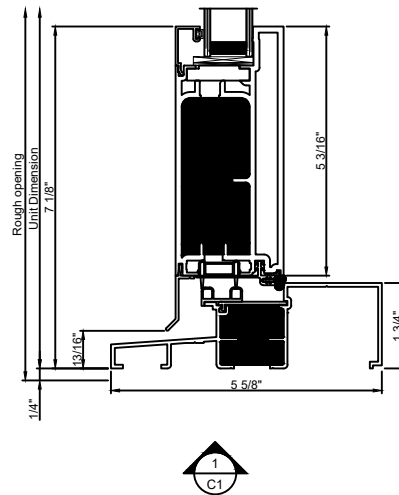
Exterior



Exterior

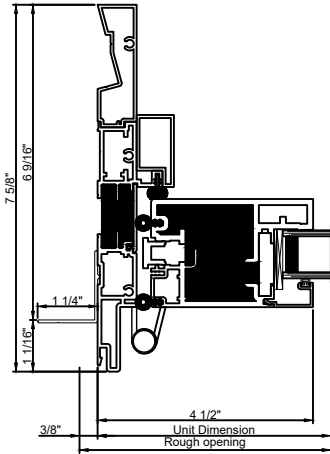


Window Elevation 3/8" = 1' 0"

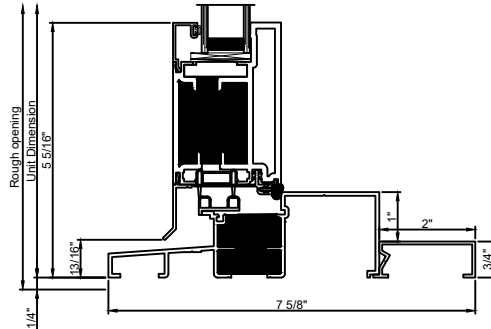


Door cut sections 1 : 4

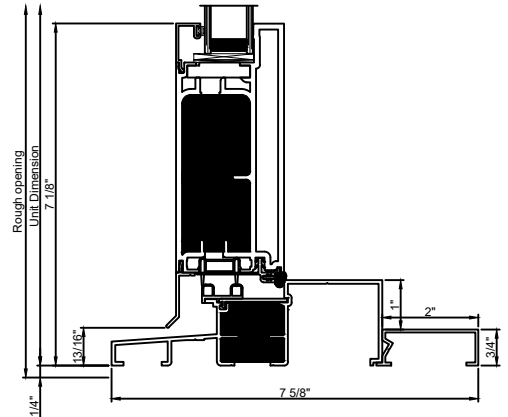
Note: All dimensions are approximate. Quaker reserves the right to change specifications without notice.



6 9/16" Jamb



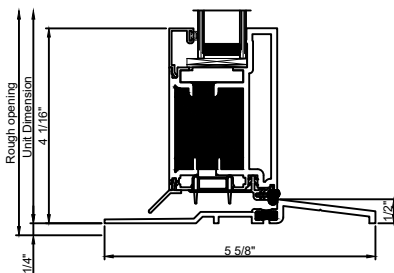
6 9/16" Std. Sill



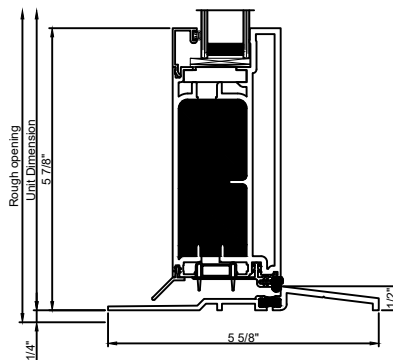
6 9/16" Wide Sill

Door cut sections 1 : 4

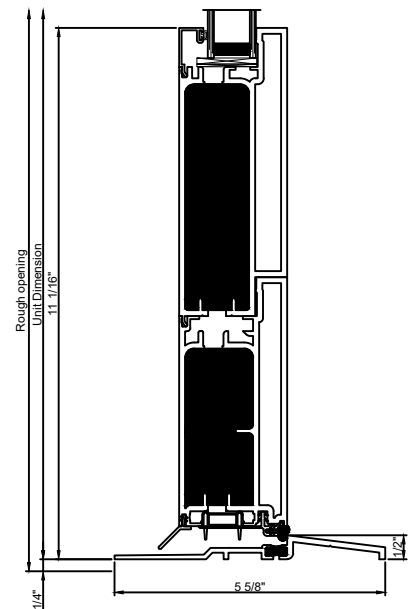
Exterior



Low Profile Sill



Low Profile Sill
Wide



Low Profile Sill
10"

Door cut sections 1 : 4

Note: All dimensions are approximate. Quaker reserves the right to change specifications without notice.